

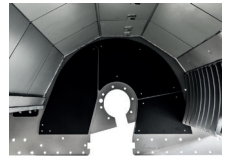
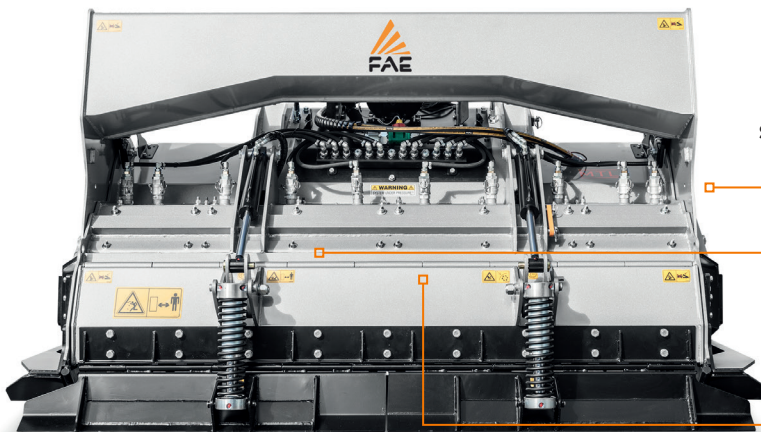
MULTITASKS

MTL

FAE multi-function head for tractors from 140 to 240 hp.

The MTL enables ground stabilization, milling of asphalt and slabs of rock, and crushing of stones, down to a maximum operating depth of 11 in. The variable-geometry crushing chamber, adjustable grid on the hood and adjustable Hardox counter blade enable constantly optimal crushing results. Internal protection

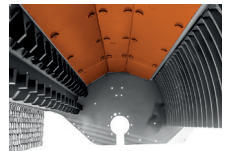
plates on the frame, bolted both centrally and laterally, ensure the head is robust and reliable. The handy depth indicator allows you to check the operating level directly from the cab. The central gearbox system with universal-joint alignment system is designed to be compatible with a wide range of tractors on the market.



Side wear plates on the inner sides of the frame highly resistant to wear and tear, equalling less down time due to replacement

Rear access panel

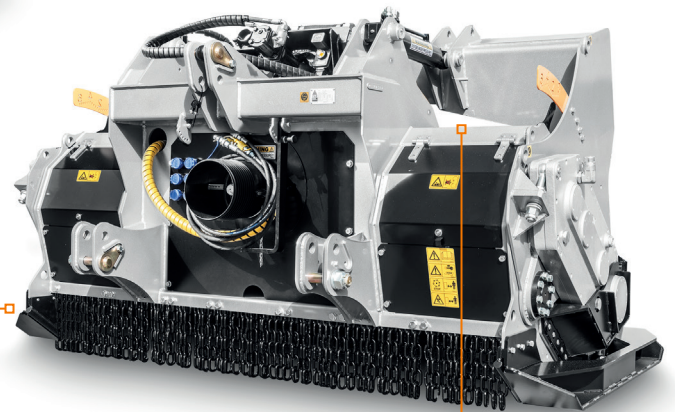
Hardox® steel - Wear plates these allow the machine to resist wear and tear and can be easily replaced as needed



Rear grid
the grid on the rear door helps define the size of the output materials

Displacement Chamber

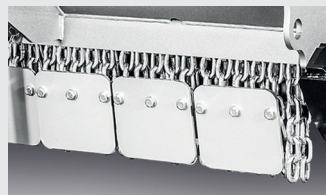
this technological solution, witch is one of a kind in the industry, allows the ground to be penetrated with the rotor alone



MAIN OPTIONS



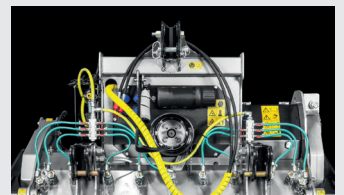
Hydraulic top link



Bolt-on chain's protection plates



Multiple tooth options



The **Water Spray System** (Basic & High Flow) has the dual function of cooling and mixing



140-240 hp



Depth 11 in max



Variable geometry mixing chamber



STANDARD EQUIPMENT

Hydraulic rear hood	Transmission with side gearbox
Interchangeable inner antiwear plates in Hardox®	Gearbox with freewheel
Enclosed machine body	Friction clutches
Variable geometry mixing chamber	PTO shaft with cam clutch
Bolted grid on rear hood	Bolted-on rotor shafts (in forged steel)
Inside lateral protection	Adjustable Hardox® counter-blade
Bolted on protection chains	Dozing blades with spring system

OPTIONS

Multiple tooth options	Water spray system WSS Basic
Hydraulic top link	Water spray system WSS High Flow
IVT - CVT or creeper transmission mandatory	

	MODEL	MTL 150	MTL 175	MTL 200	MTL 225
	Engine (hp)	140-240	150-240	160-240	170-240
	PTO (rpm)	1000	1000	1000	1000
	Working width (in)	58	68	77	87
	Total width (in)	72	81	91	100
	Weight (lbs)	7430	7981	8532	9083
	Rotor diameter (in)	23.4	23.4	23.4	23.4
G/3	Working depth (in) (Max. 1-Max. 2)	6-11	6-11	6-11	6-11
	No. teeth type G/3+STC/3/FP	42+6	50+6	60+6	70+6
ROTOR R (optional)	Working depth (in) (Max. 1-Max. 2)	6-11	6-11	6-11	6-11
	No. teeth type R+R/HD	98+16	122+16	138+16	154+16

Max. 1: with rotor only **Max. 2:** maximum depth (maximum working depth depending on ground conditions).
This information refers to the machine equipped as standard. The technical data in this catalogue may be altered without prior notice.

ROTOR TYPE G



G/3
(standard)



G/3/HD
(option)



ADAPTOR G/3 R 44
(option)

ROTOR TYPE R



R 65
(standard)



R/HD 65
(option)



R 44
(option)



ADAPTOR R 65
(option)



STC/3/FP
(side scraper)